

## INSTALLATION SHEET

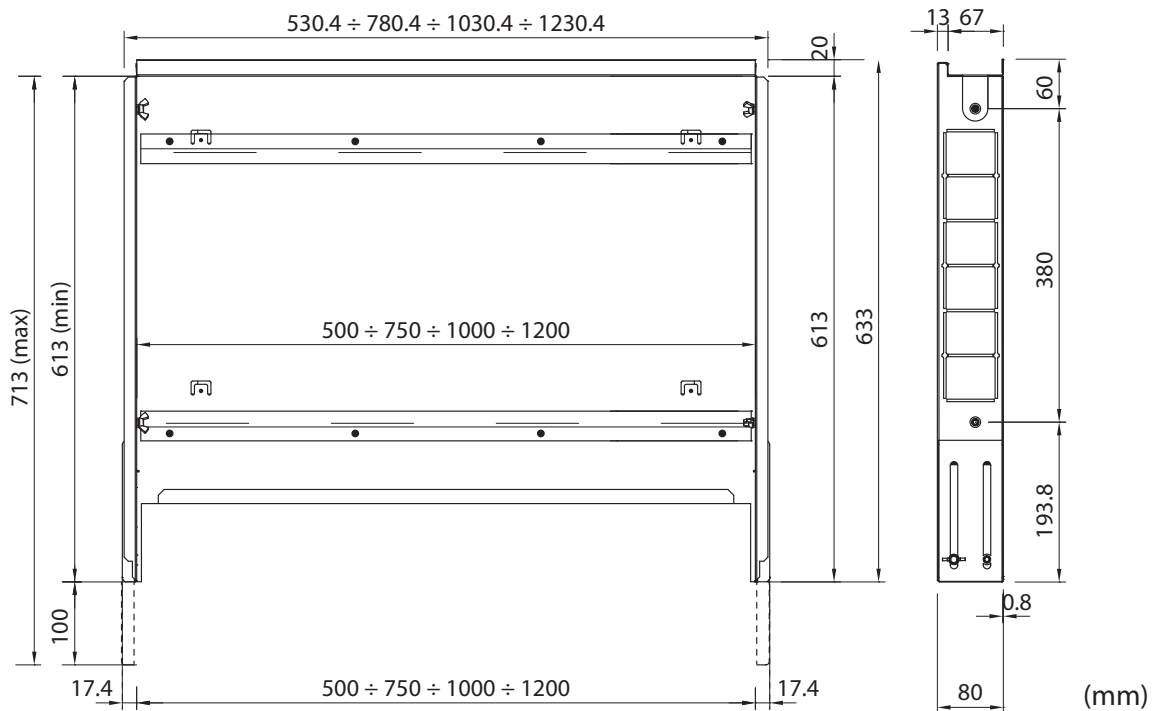
### 1 DESCRIPTION



EASY cabinet made of zinc-plated sheet metal, depth 8 cm, with adjustable feet, a net on the back, dead holes for side entrances, slide guides for a pair of brackets, a protective cover for plaster. It includes flat frame and door made of precovered metal sheet and screw-driver lockset.

Model	Code
EASY 50	1600550
EASY 75	1600575
EASY 100	1600599
EASY 120	1600600

### 2 DIMENSIONS OF THE CABINET



### 3.1 OVERALL SIZE WITH PIPEWORK ON THE RIGHT OR ON THE LEFT

#### EASY STEEL MANIFOLD

Number of outlets		3+3	4+4	5+5	6+6	7+7	8+8	9+9	10+10	11+11	12+12	13+13
Manifold only	cm	23,5	28,5	34,5	40	45	50	55	60	66,5	71,5	76,5
Manifold + ball valves	cm	33,5	38,5	44,5	50	55	60	65	70	76,5	81,5	86,5
Manifold + zone valves	cm	37	42	48	53,5	58,5	63,5	68,5	73,5	80	85	90
Manifold + ball valves + zone valves	cm	41,5	46,5	52,5	58	63	68	73	78	84,5	89,5	94,5

EASY 50

EASY 75

EASY 100

### 3.2 OVERALL SIZE WITH PIPEWORK ON THE BOTTOM

#### EASY STEEL MANIFOLD

Number of outlets		3+3	4+4	5+5	6+6	7+7	8+8	9+9	10+10	11+11	12+12	13+13
Manifold only	cm	23,5	28,5	34,5	40	45	50	55	60	66,5	71,5	76,5
Manifold + ball valves	cm	33,5	38,5	44,5	50	55	60	65	70	76,5	81,5	86,5
Manifold + zone valves	cm	37	42	48	53,5	58,5	63,5	68,5	73,5	80	85	90
Manifold + ball valves + zone valves	cm	41,5	46,5	52,5	58	63	68	73	78	84,5	89,5	94,5

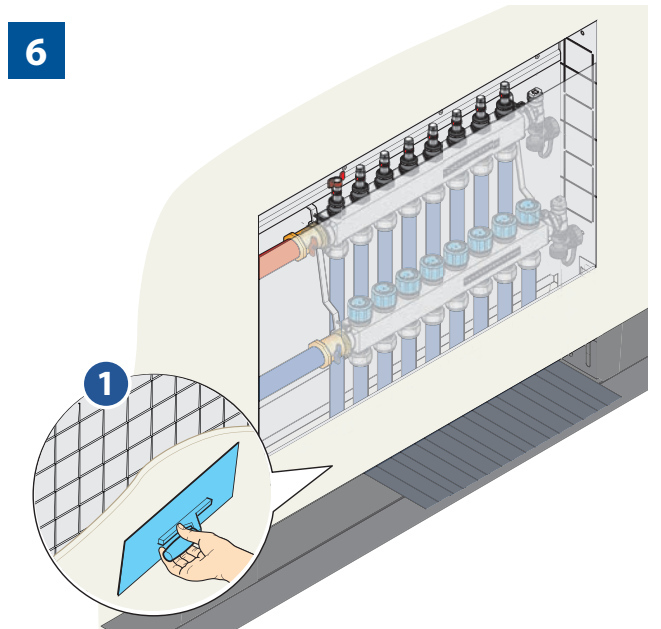
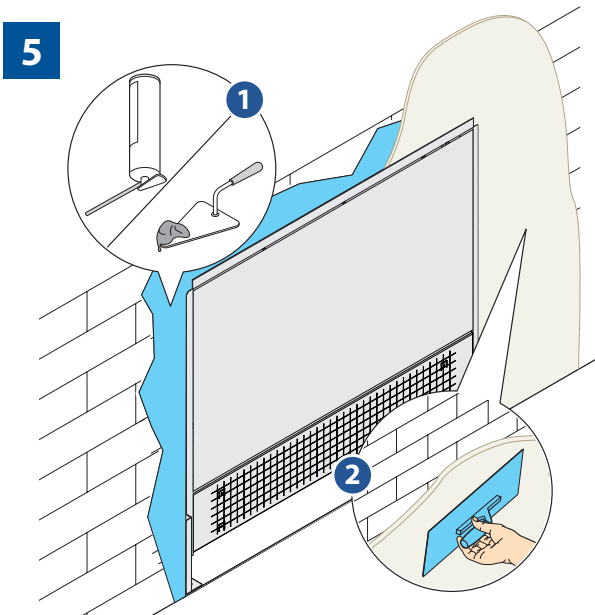
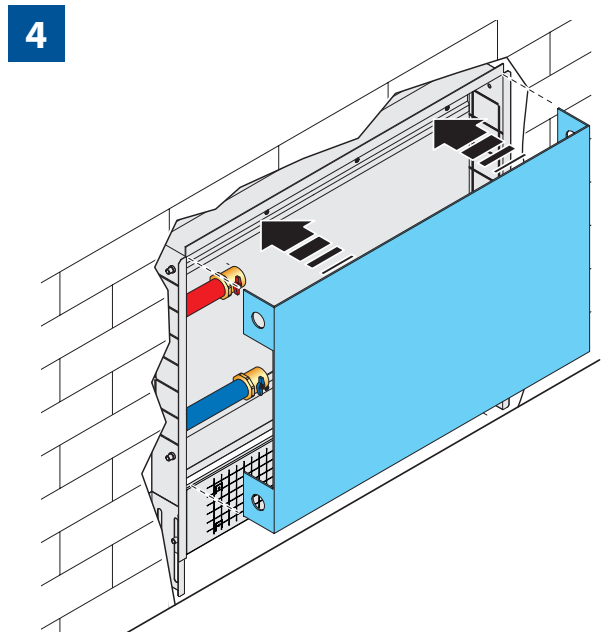
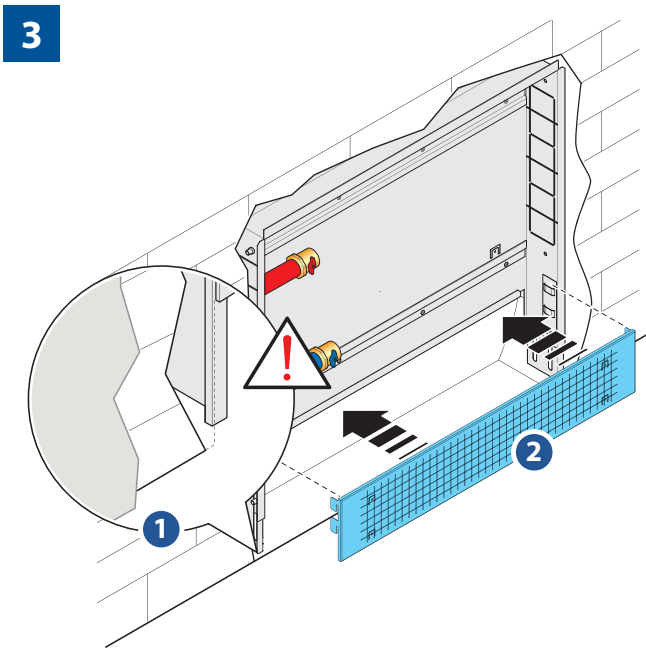
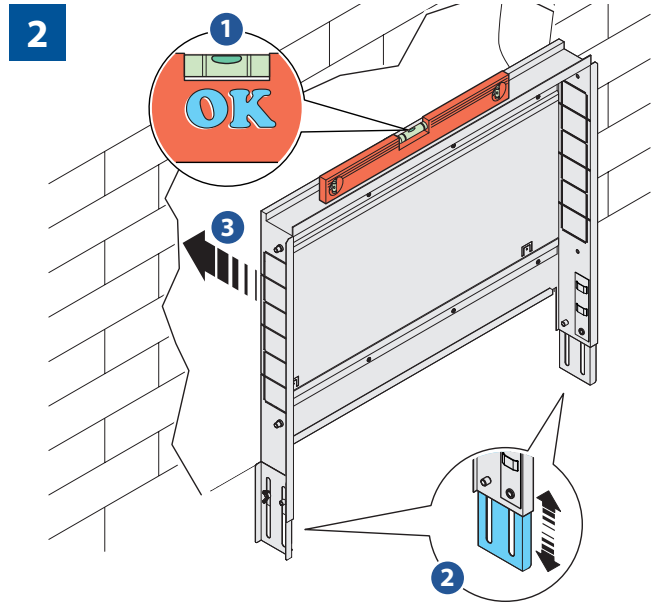
EASY 50

EASY 75

EASY 100

# INSTALLATION SHEET

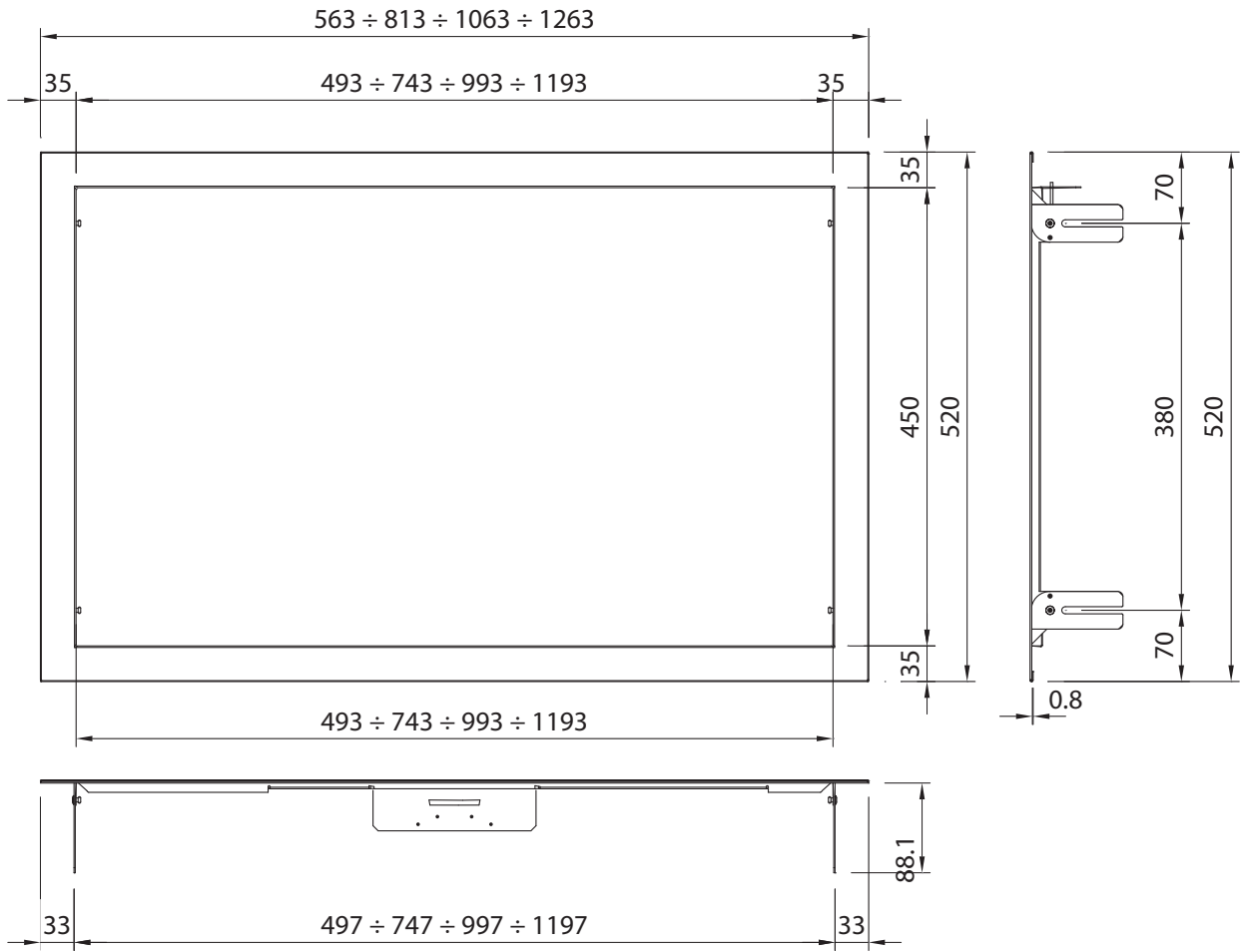
## 4 INSTALLATION OF THE CABINET BODY



# INSTALLATION SHEET

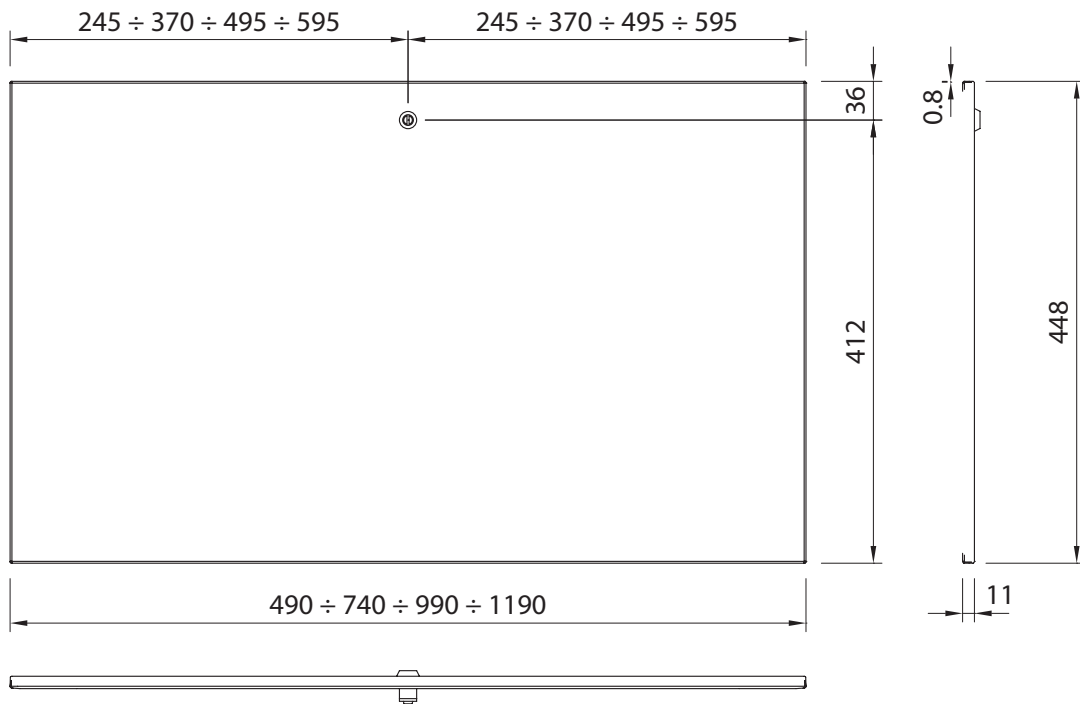
## 5 DIMENSIONS OF CABINET FRAME AND DOOR

### CABINET FRAME



Unit of measurement (mm)

### CABINET DOOR



Unit of measurement (mm)

# INSTALLATION SHEET

## 6 INSTALLATION OF CABINET FRAME AND DOOR

